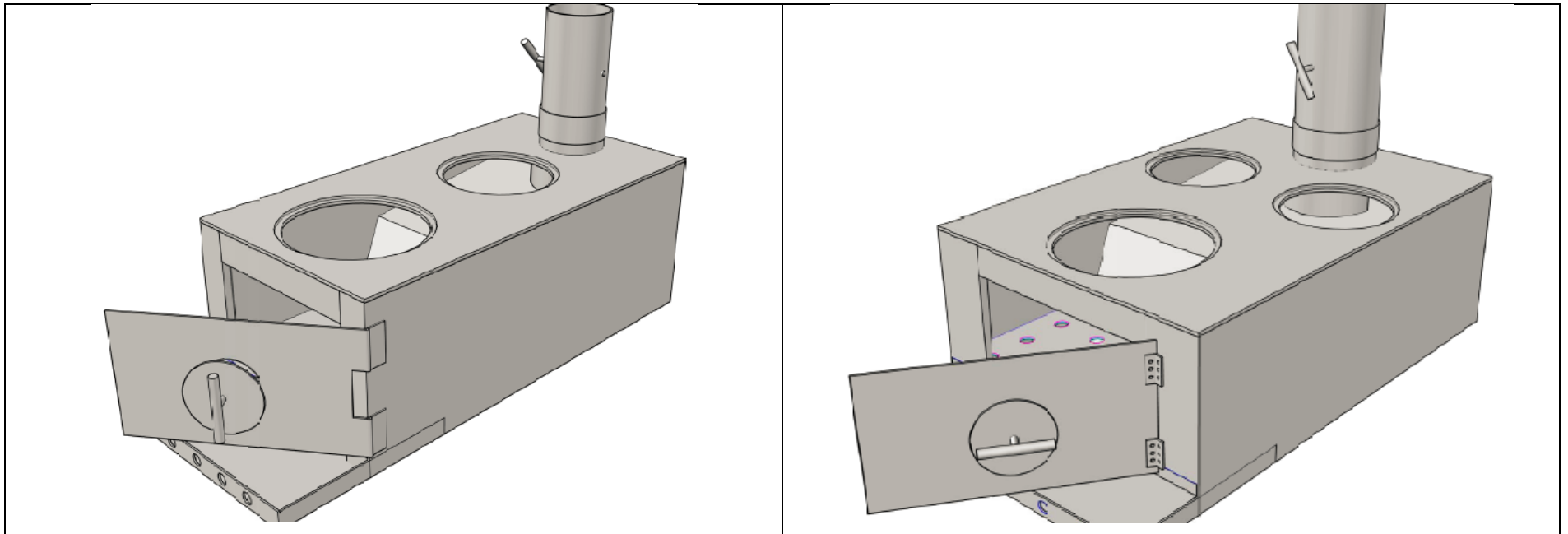
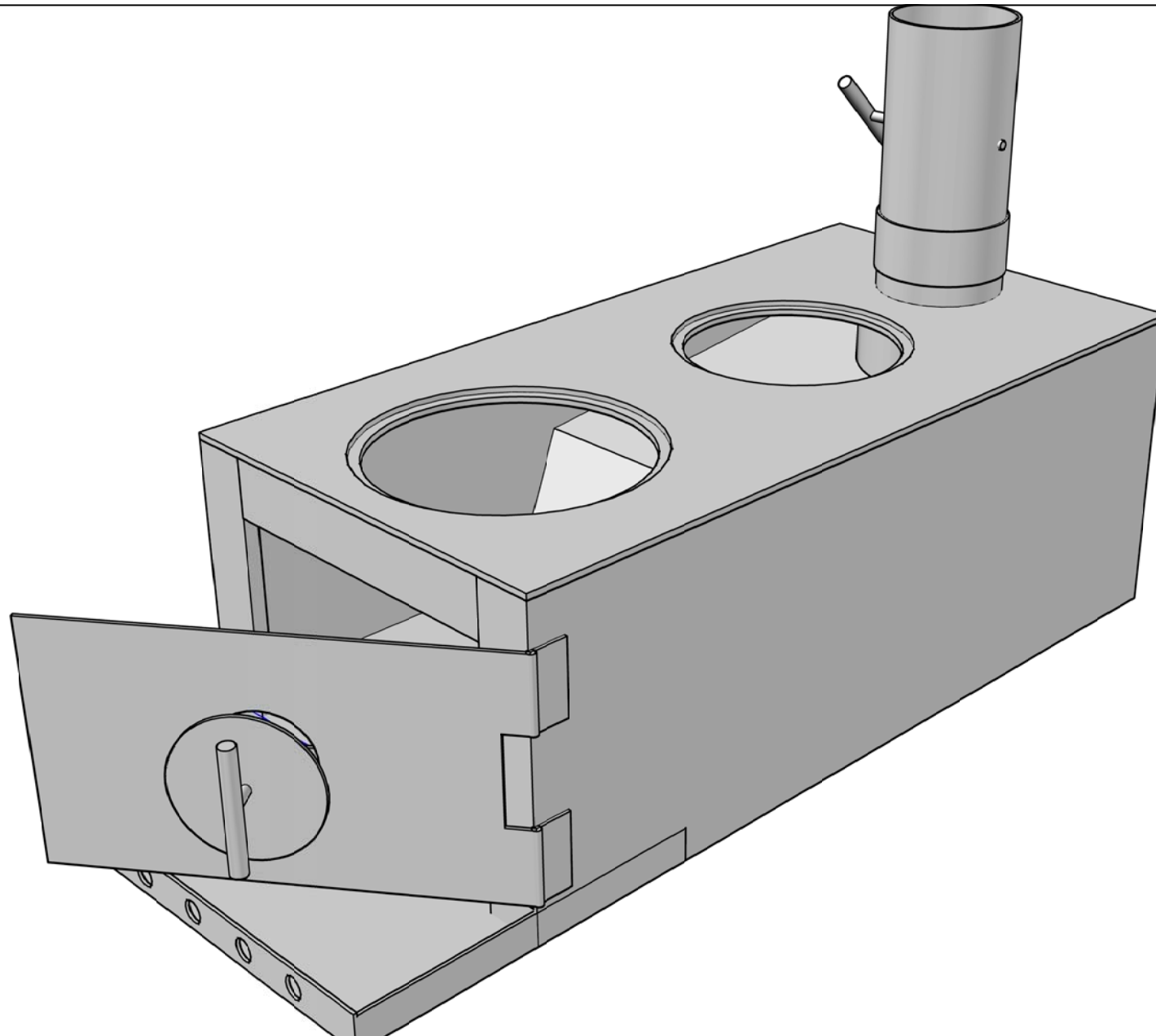


Detailed Drawing of 2 Pot Hole and 3 Pot Hole Metallic Improved Cooking and Heating Stove

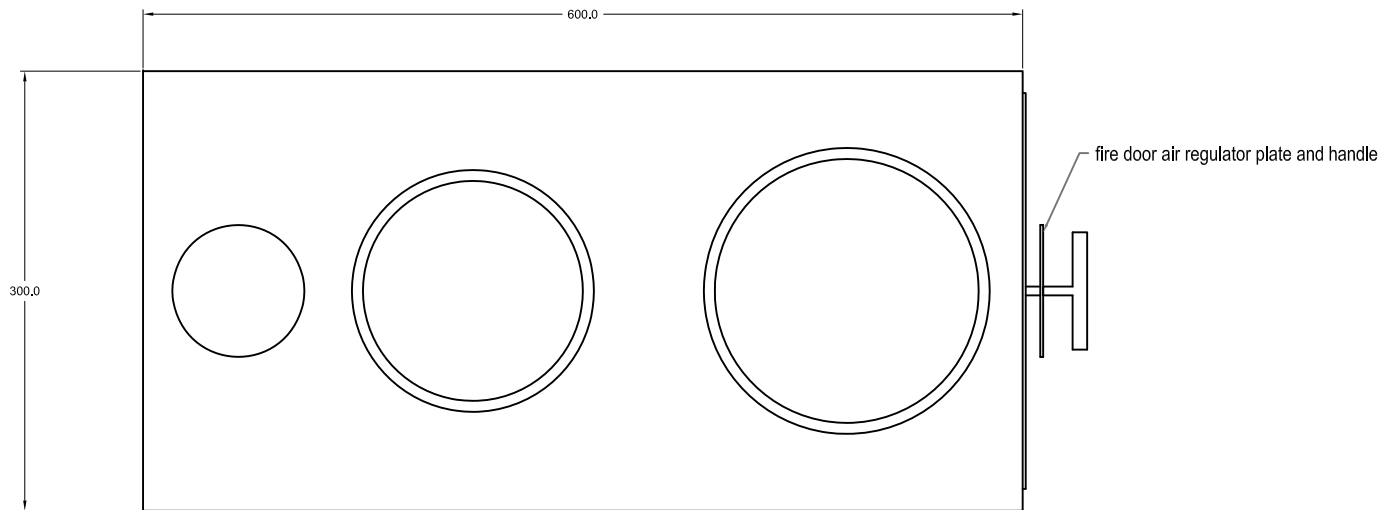




Improved Metallic Stove: 2 Pot Hole Model
All Dimensions in mm
Scale - NA

Drawing No. 1
2 POT HOLE METALLIC STOVE

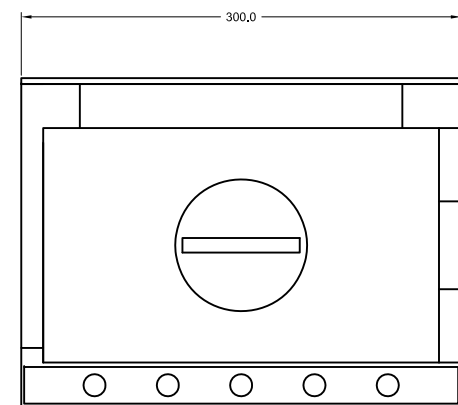
Biomass Energy Sub-Component / AEPC
Khumaltar Lalitpur
Ph +977 1 5539390



Top View



Side View

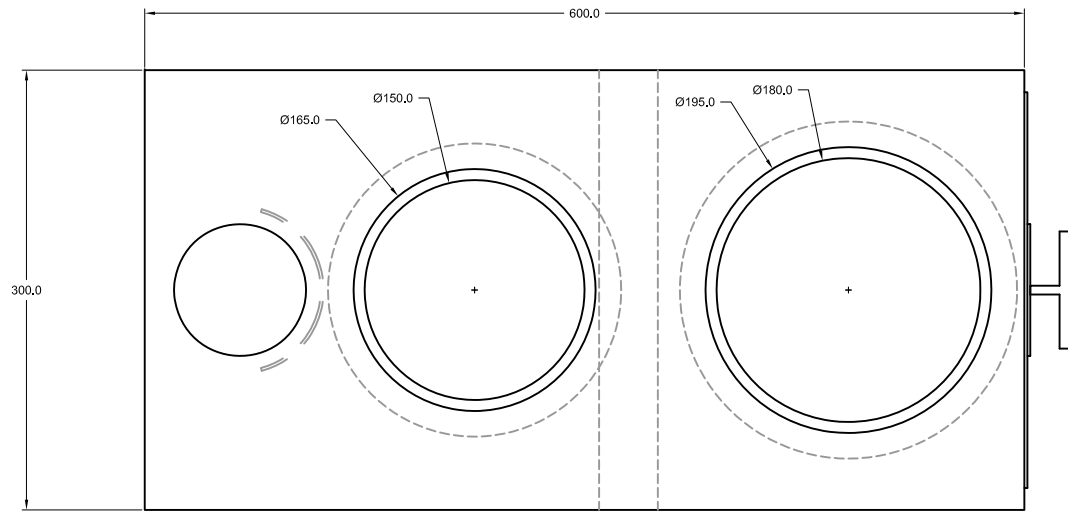


Front View

Improved Metallic Stove: 2 Pot Hole Model
 All Dimensions in mm
 Scale - 1 : 5

Drawing No.: 2
VIEWS

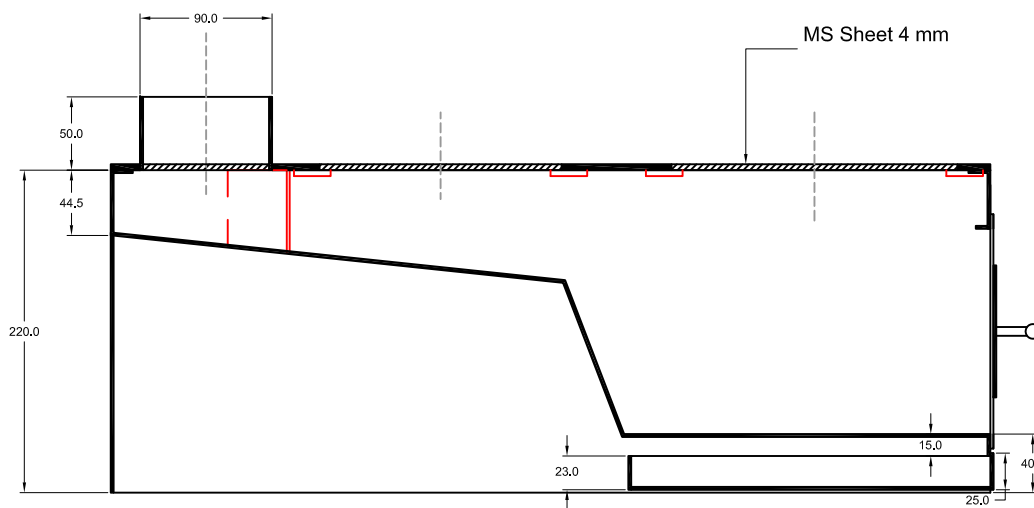
Biomass Energy Sub-Component / AEPC
Khumaltar Lalitpur
Ph +977 1 5539390



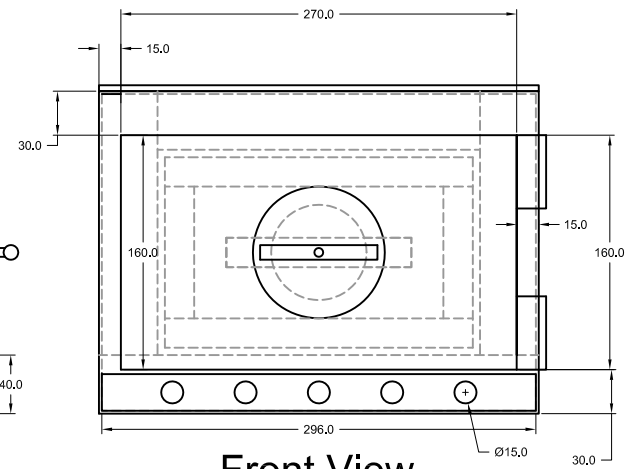
Top View

Materials Specification

Top Plate	:	Mild Steel	t = 4 mm
Side Plate	:	Mild Steel	t = 2 mm
Bottom Plate	:	Mild Steel	t = 2 mm
Door	:	Mild Steel	t = 2 mm
Chimney	:	Mild Steel	t = 2 mm



Side View

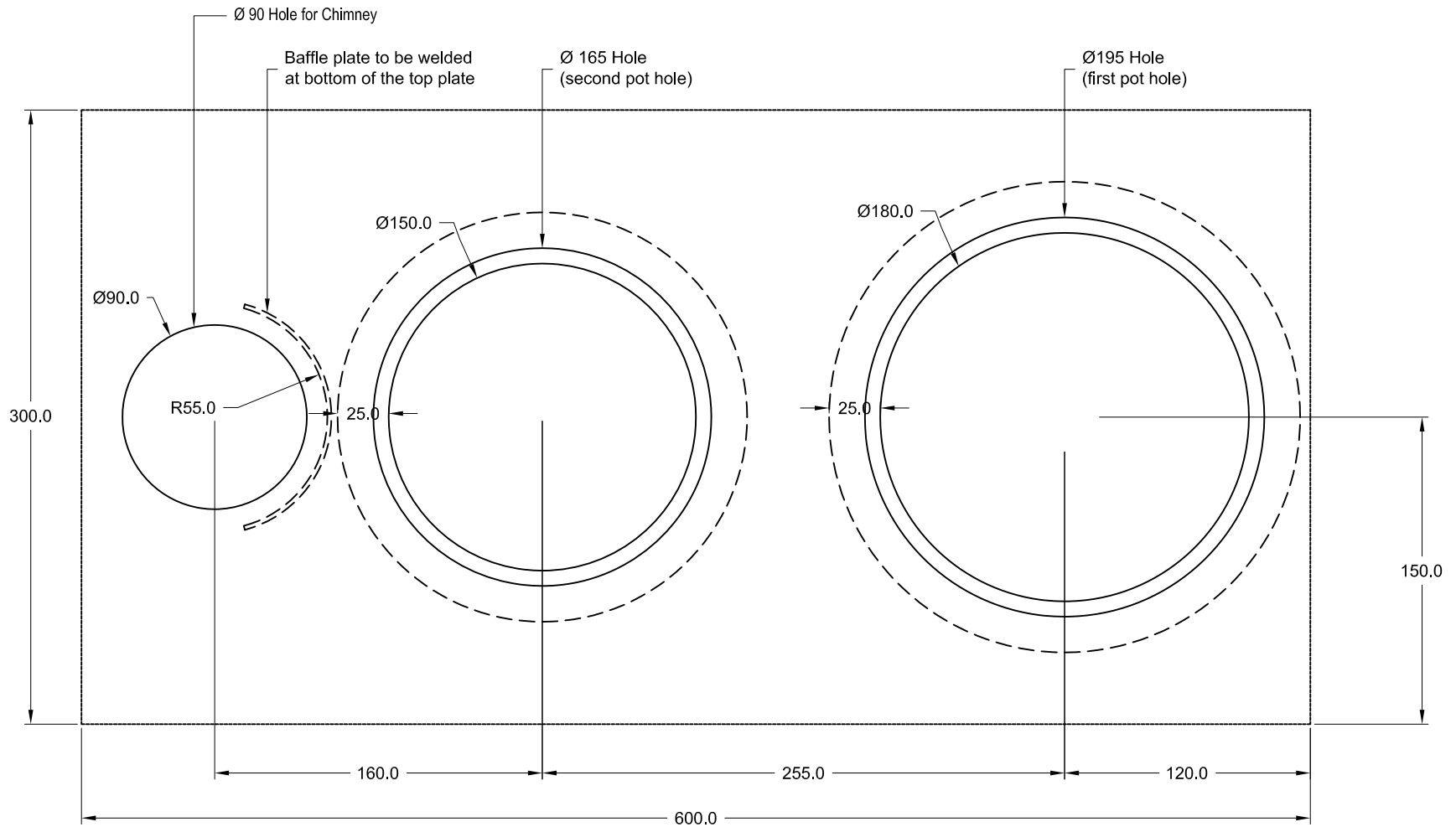


Front View

Improved Metallic Stove: 2 Pot Hole Model
 All Dimensions in mm
 Scale - 1 : 5

Drawing No.: 3
SECTIONAL VIEWS

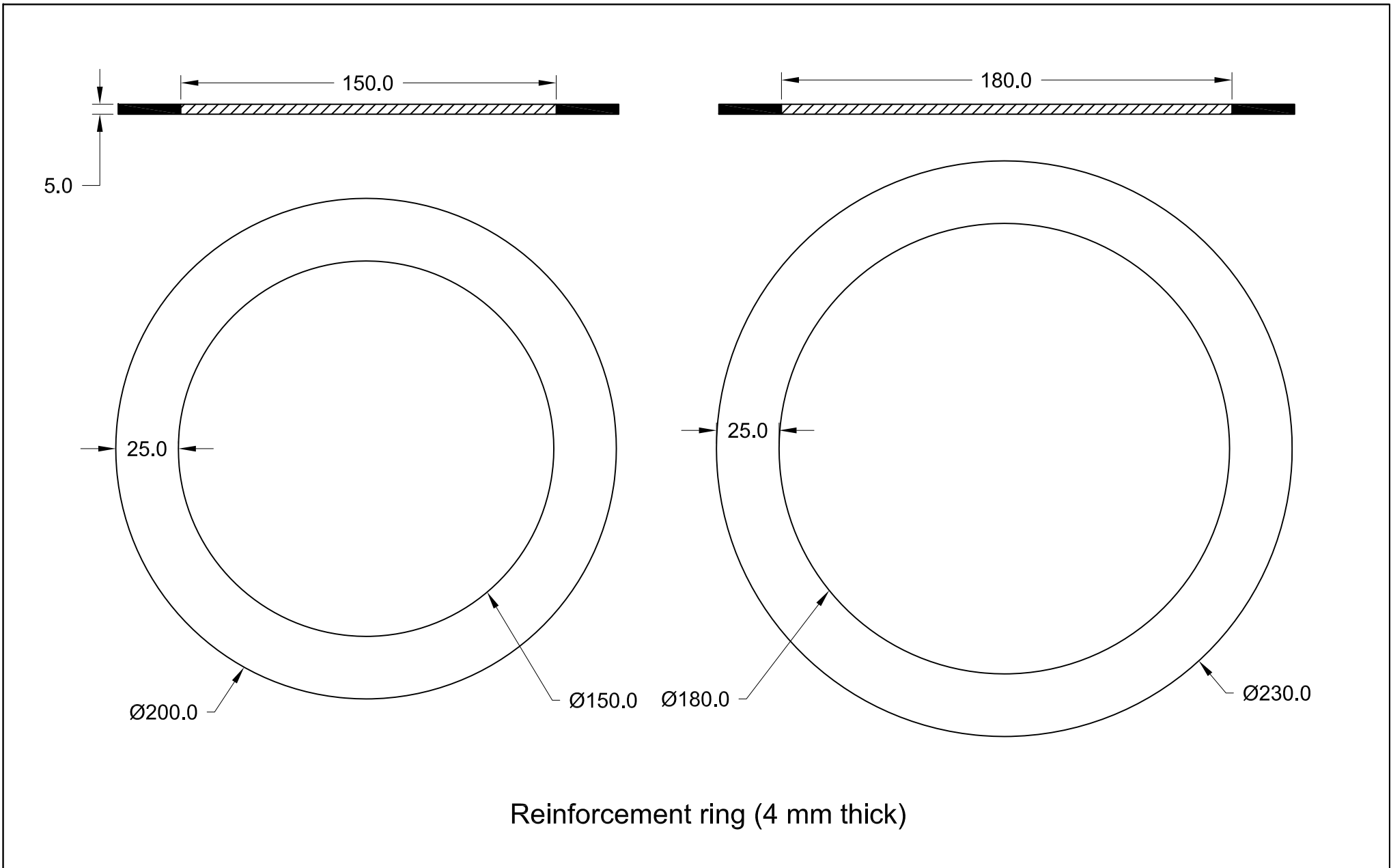
Biomass Energy Sub-Component / AEPC
Khumaltar Lalitpur
Ph +977 1 5539390



Improved Metallic Stove: 2 Pot Hole Model
 All Dimensions in mm
 Scale - 1 : 3

Drawing No. 4
TOP PLATE

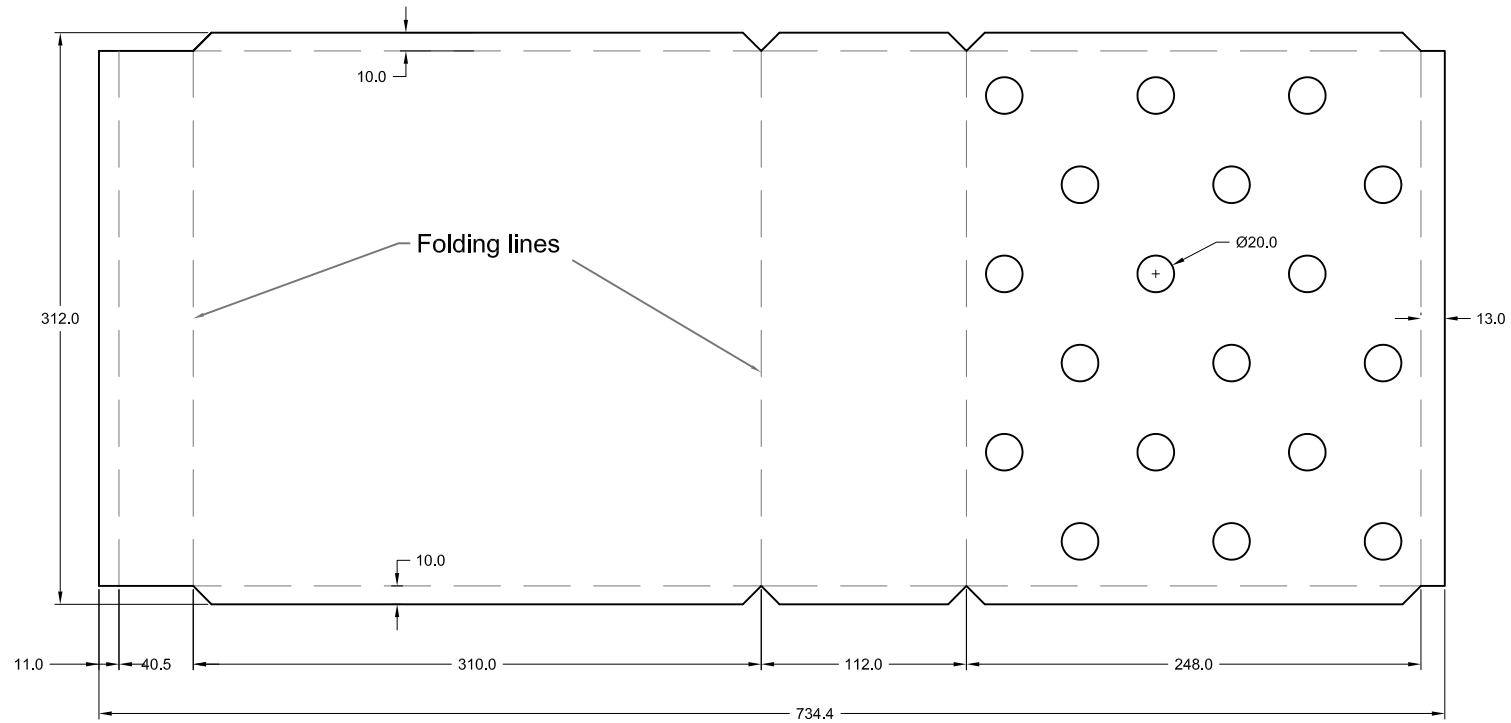
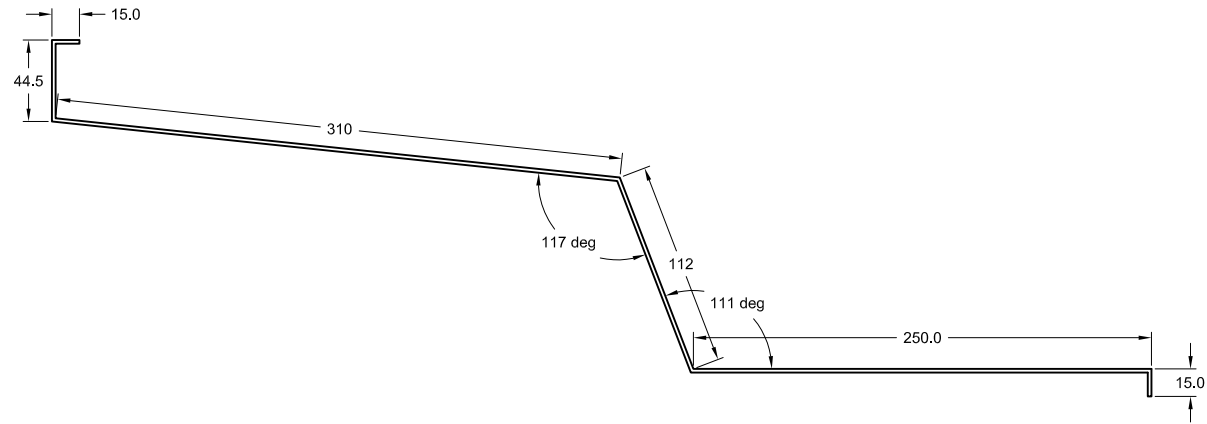
Biomass Energy Sub-Component / AEPC
Khumaltar Lalitpur
Ph +977 1 5539390



Improved Metallic Stove: 2 Pot Hole Model
 All Dimensions in mm
 Scale - 1 : 2

Drawing No.: 5
POT HOLE RE-INFORCEMENT

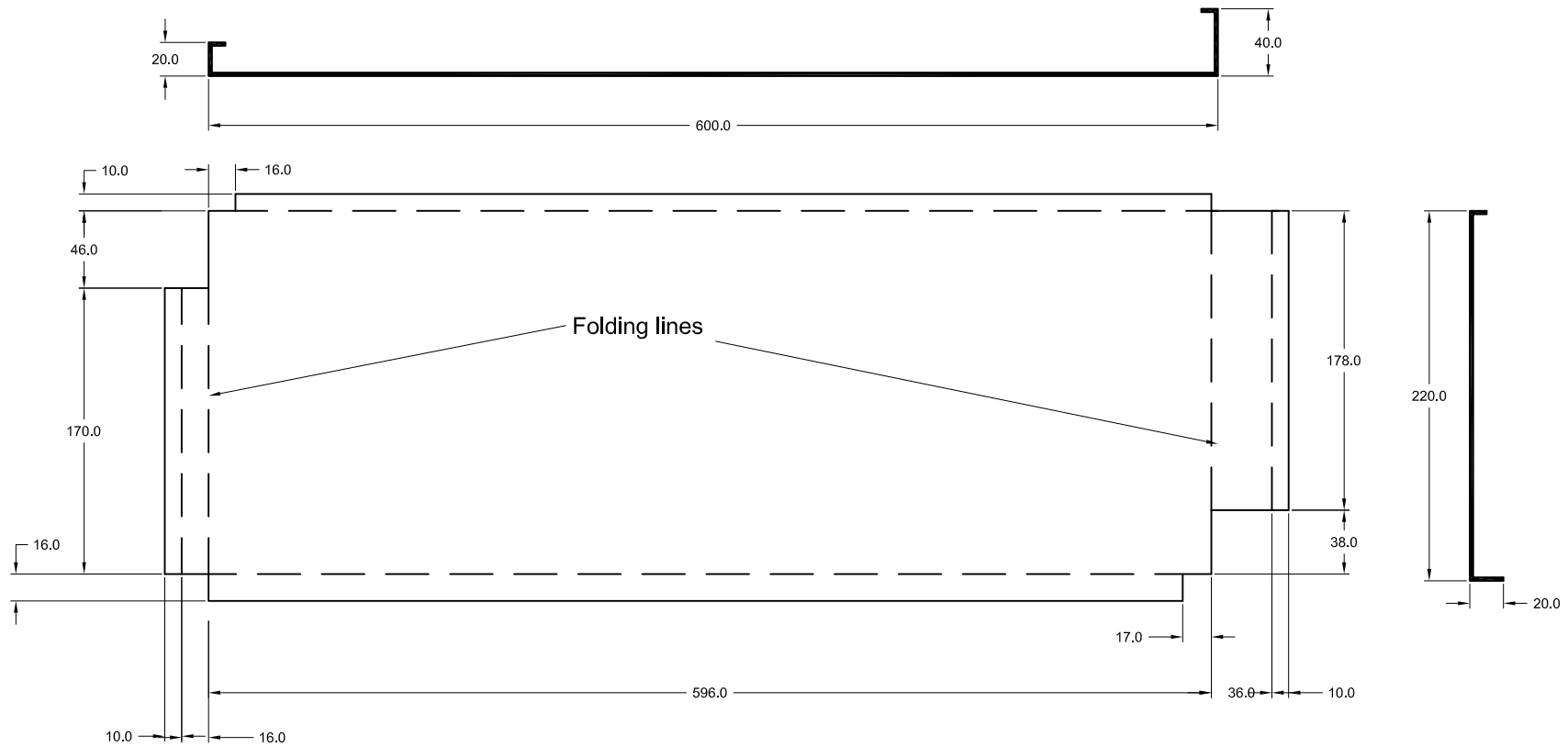
Biomass Energy Sub-Component / AEPC
 Khumaltar Lalitpur
 Ph +977 1 5539390



Improved Metallic Stove: 2 Pot Hole Model
 All Dimensions in mm
 Scale - 1 : 4

Drawing No.: 6
COMBUSTION CHAMBER PLATE

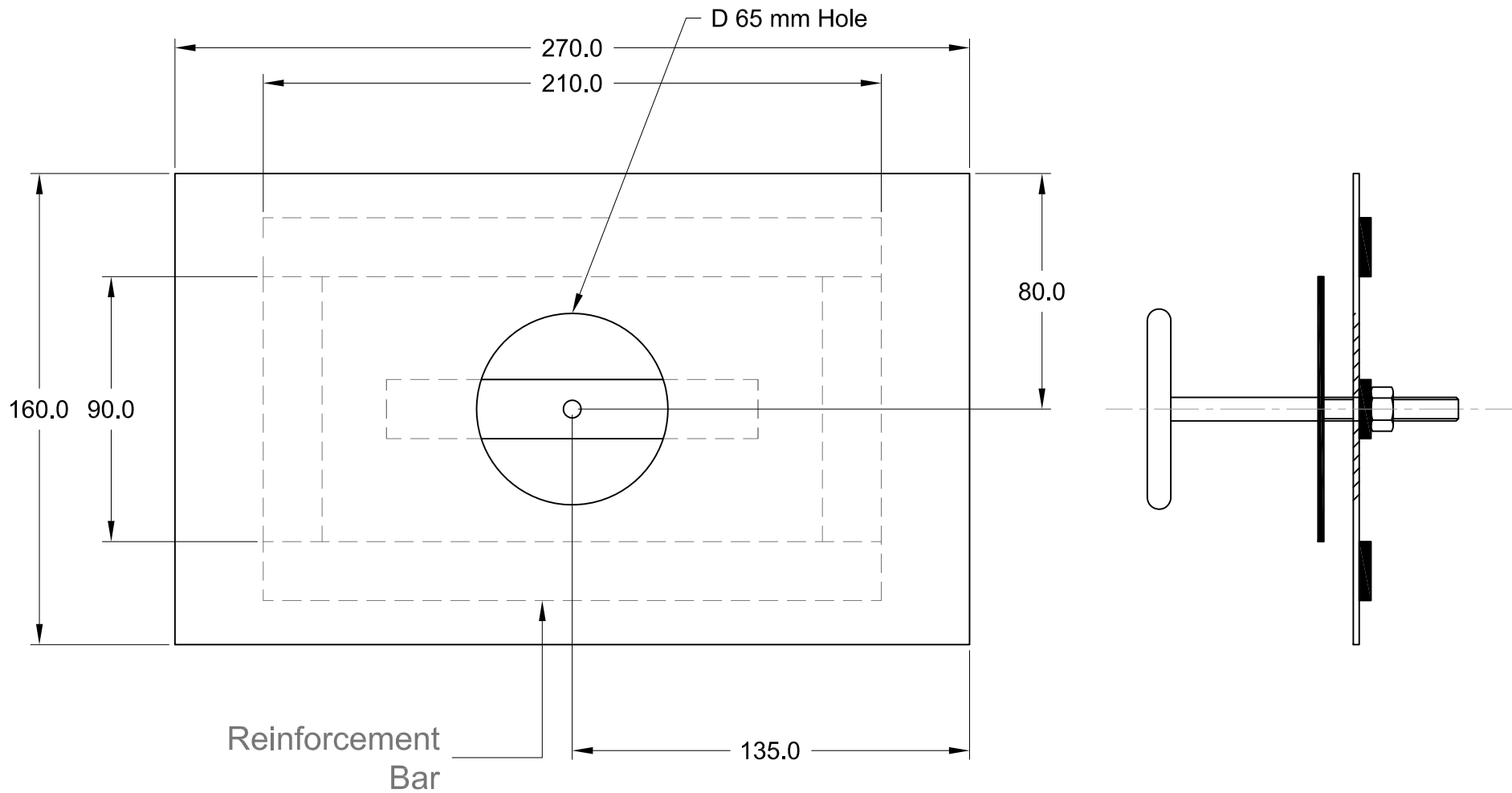
Biomass Energy Sub-Component / AEPC
Khumaltar Lalitpur
Ph +977 1 5539390



Improved Metallic Stove: 2 Pot Hole Model
 All Dimensions in mm
 Scale - 1 : 4

Drawing No.: 7
SIDE PLATES

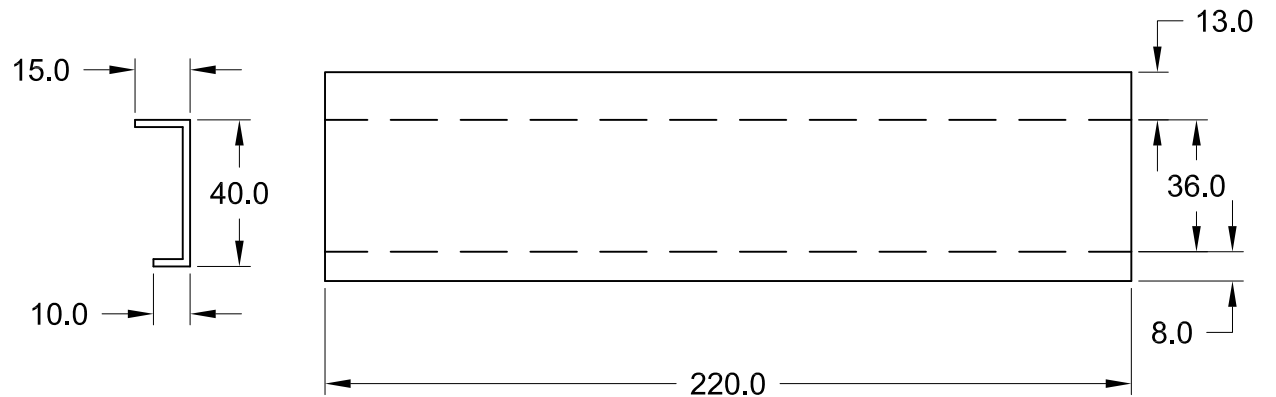
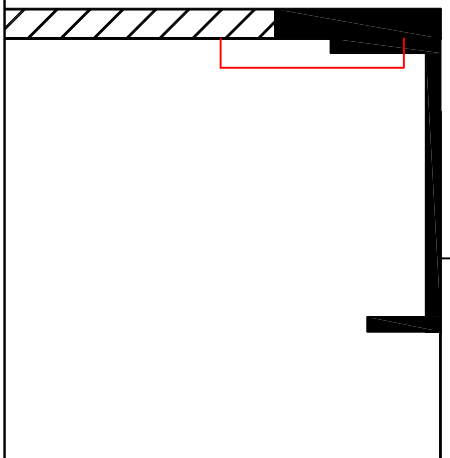
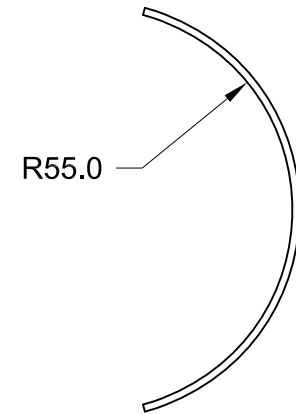
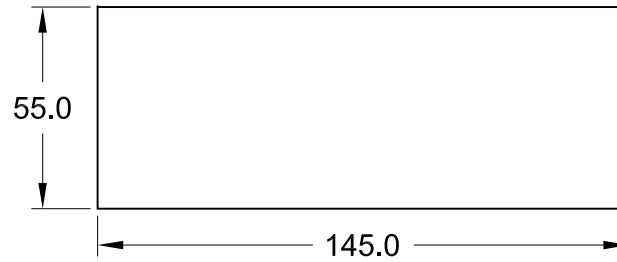
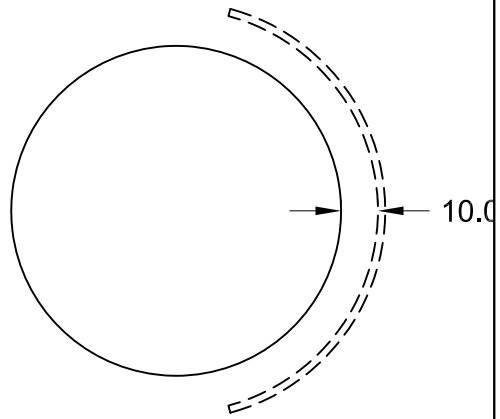
Biomass Energy Sub-Component / AEPC
Khumaltar Lalitpur
Ph +977 1 5539390



Improved Metallic Stove: 2 Pot Hole Model
 All Dimensions in mm
 Scale - 1 : 2

Drawing No.: 8
FIRE DOOR

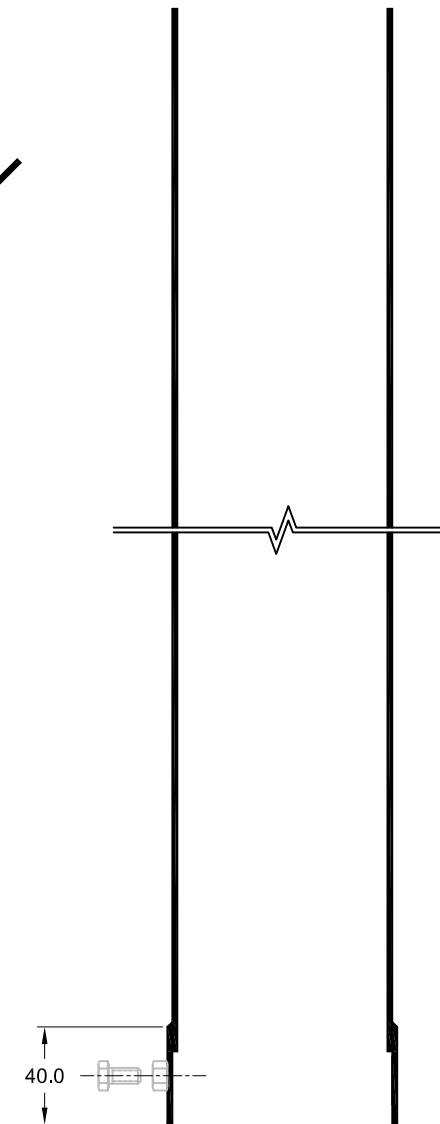
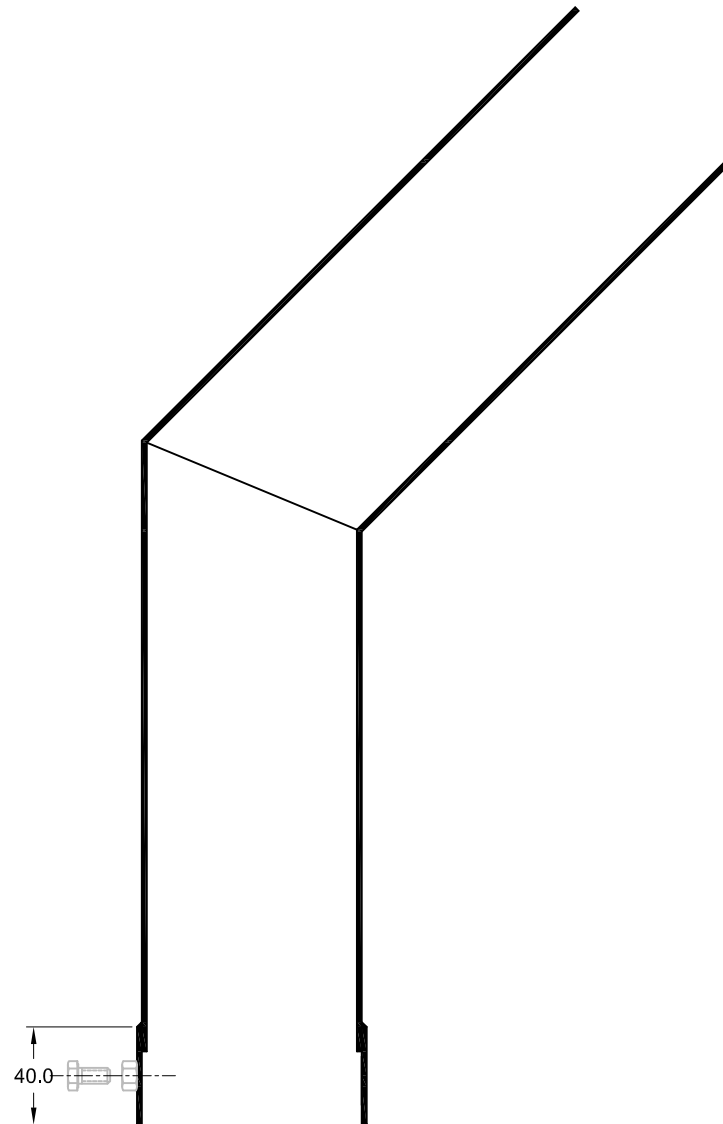
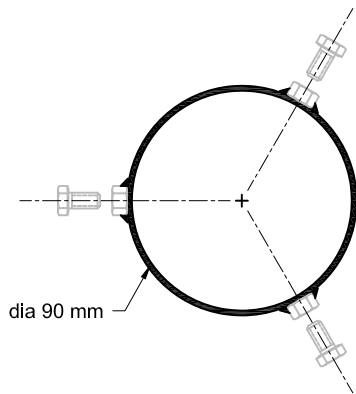
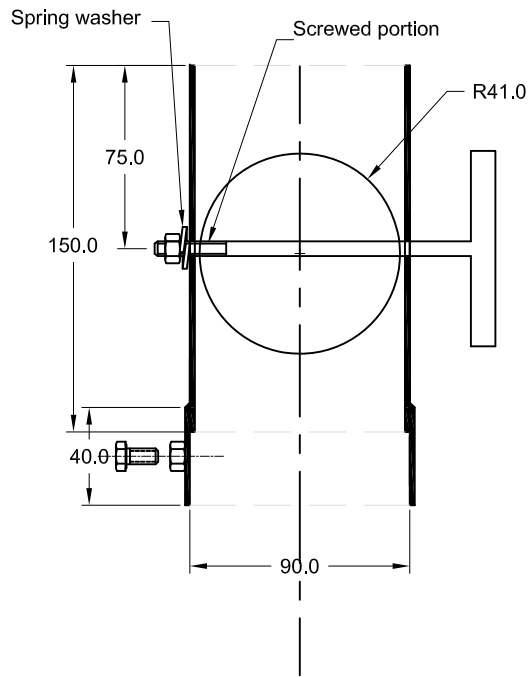
Biomass Energy Sub-Component / AEPC
Khumaltar Lalitpur
Ph +977 1 5539390



Improved Metallic Stove: 2 Pot Hole Model
 All Dimensions in mm
 Scale - 1 : 2

Drawing No.: 9
BAFFLE & FRONT TOP PART

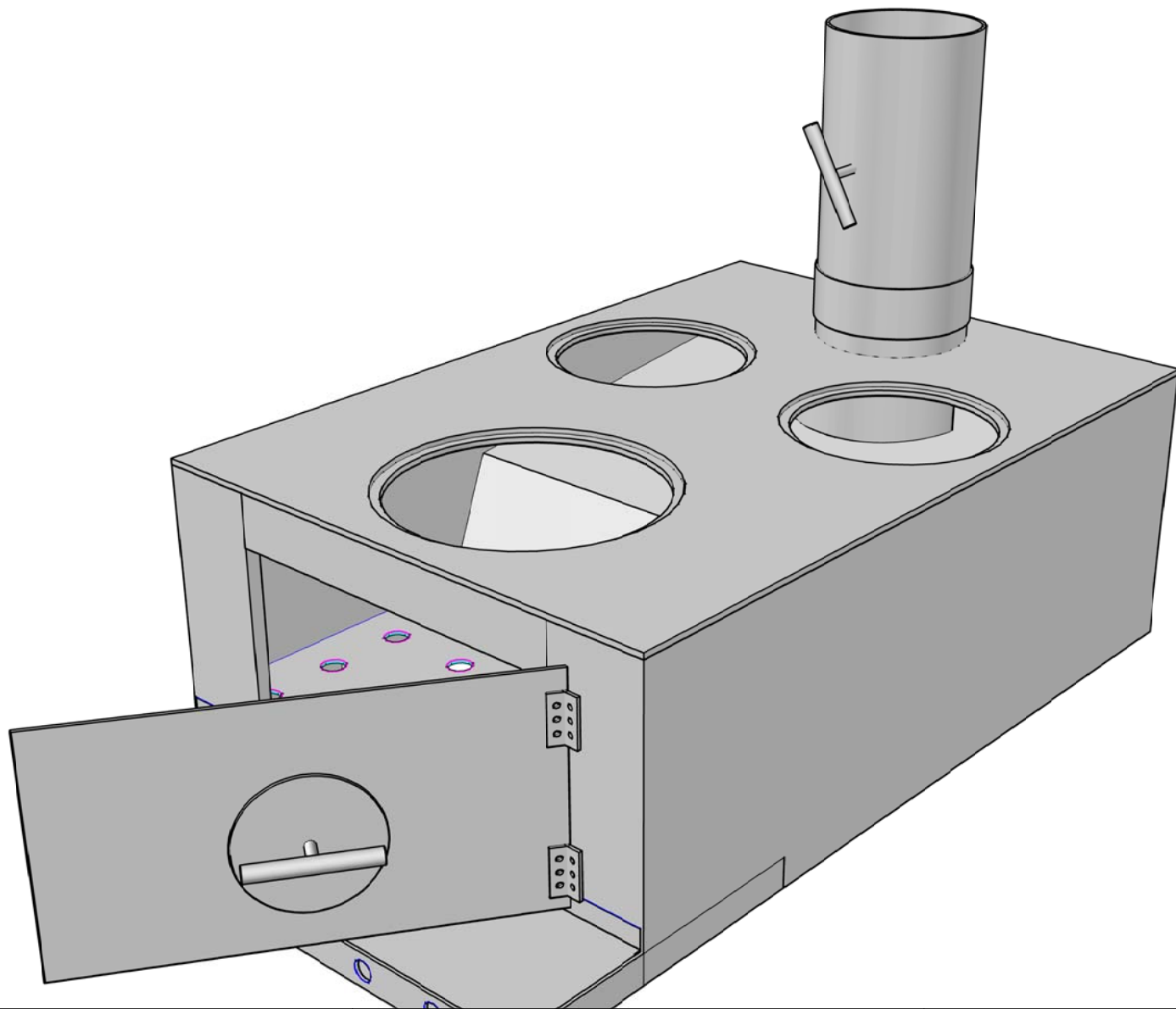
Biomass Energy Sub-Component / AEPC
Khumaltar Lalitpur
Ph +977 1 5539390



Improved Metallic Stove: 2 Pot Hole Model
 All Dimensions in mm
 Scale - 1 : 3

Drawing No.: 10
BAFFLE, CHIMNEY & CHIMNEY BEND

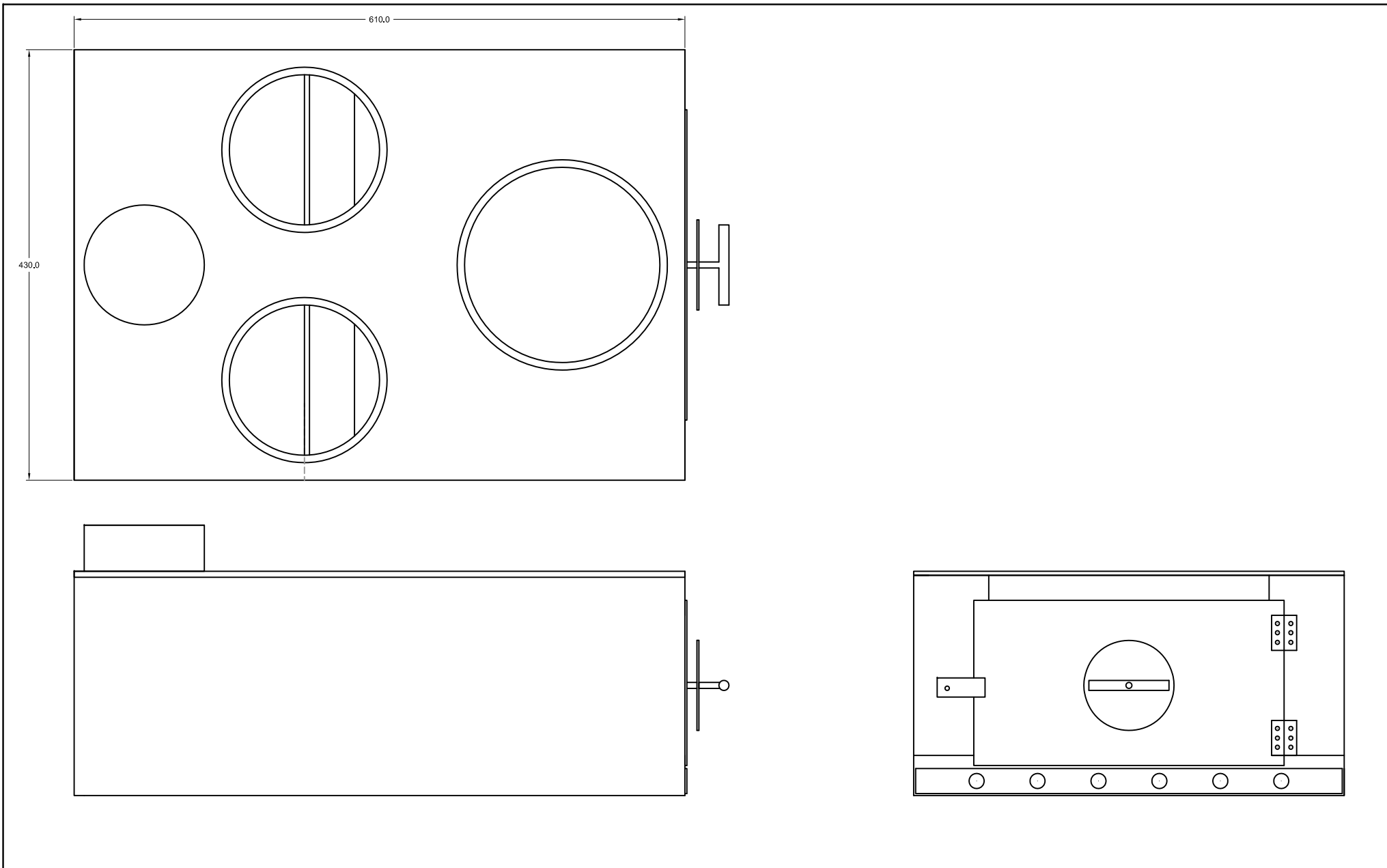
Biomass Energy Sub-Component / AEPC
 Khumaltar Lalitpur
 Ph +977 1 5539390



Improved Metallic Stove: 3 Pot Hole Model
All Dimensions in mm
Scale - NA

Drawing No. 1
3 POT HOLE METALLIC STOVE

Biomass Energy Sub-Component / AEPC
Khumaltar Lalitpur
Ph +977 1 5539390



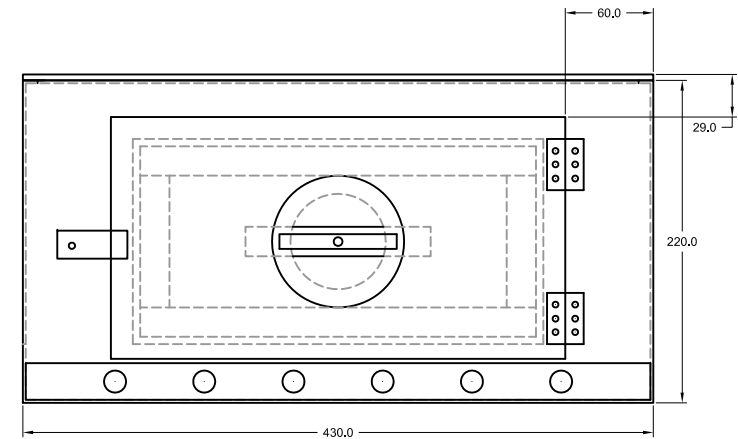
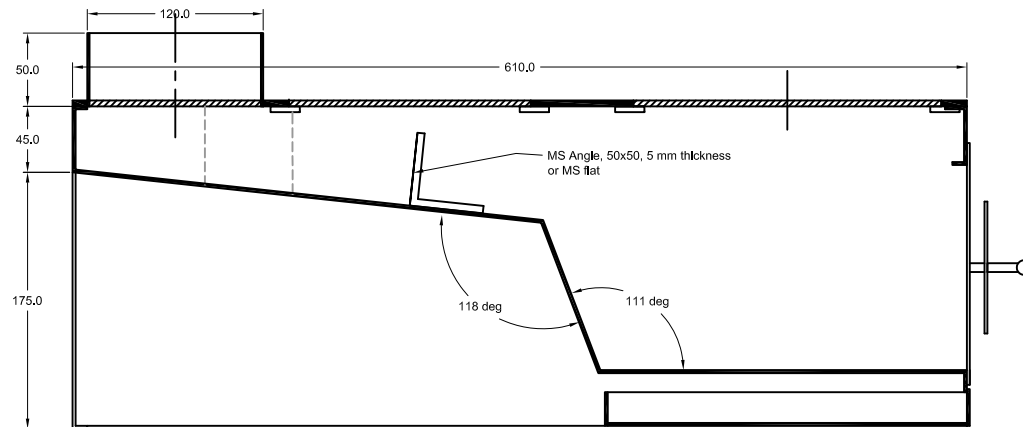
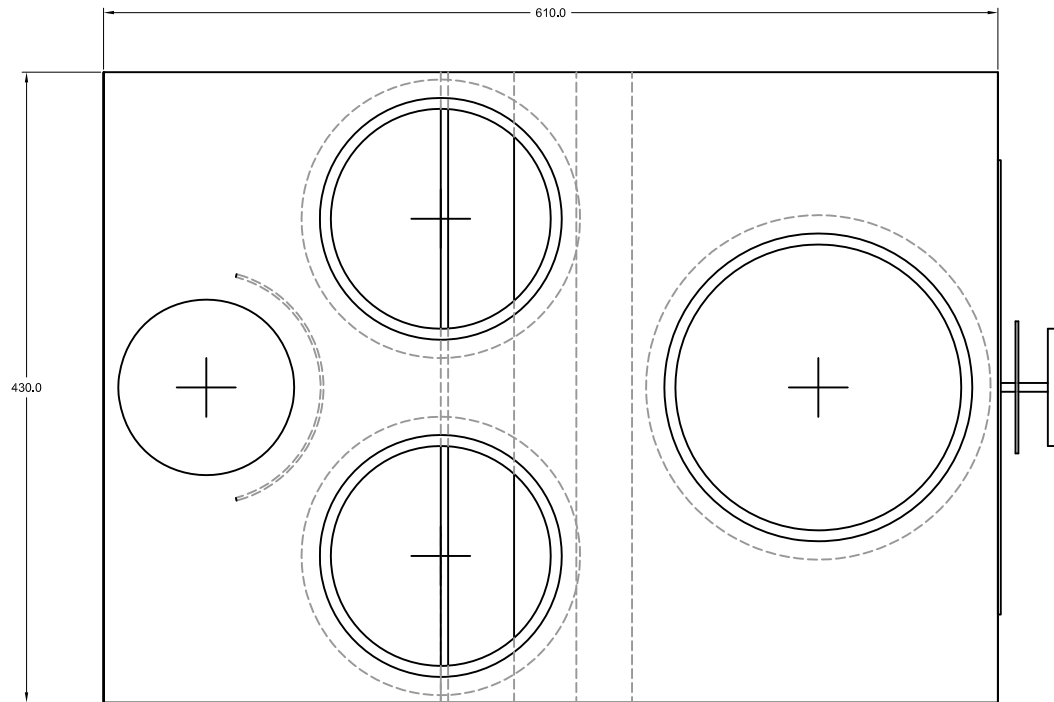
Improved Metallic Stove: 3 Pot Hole Model
 All Dimensions in mm
 Scale - 1 : 5

Drawing No.: 2
VIEWS

Biomass Energy Sub-Component / AEPC
Khumaltar Lalitpur
Ph +977 1 5539390

Materials Specification

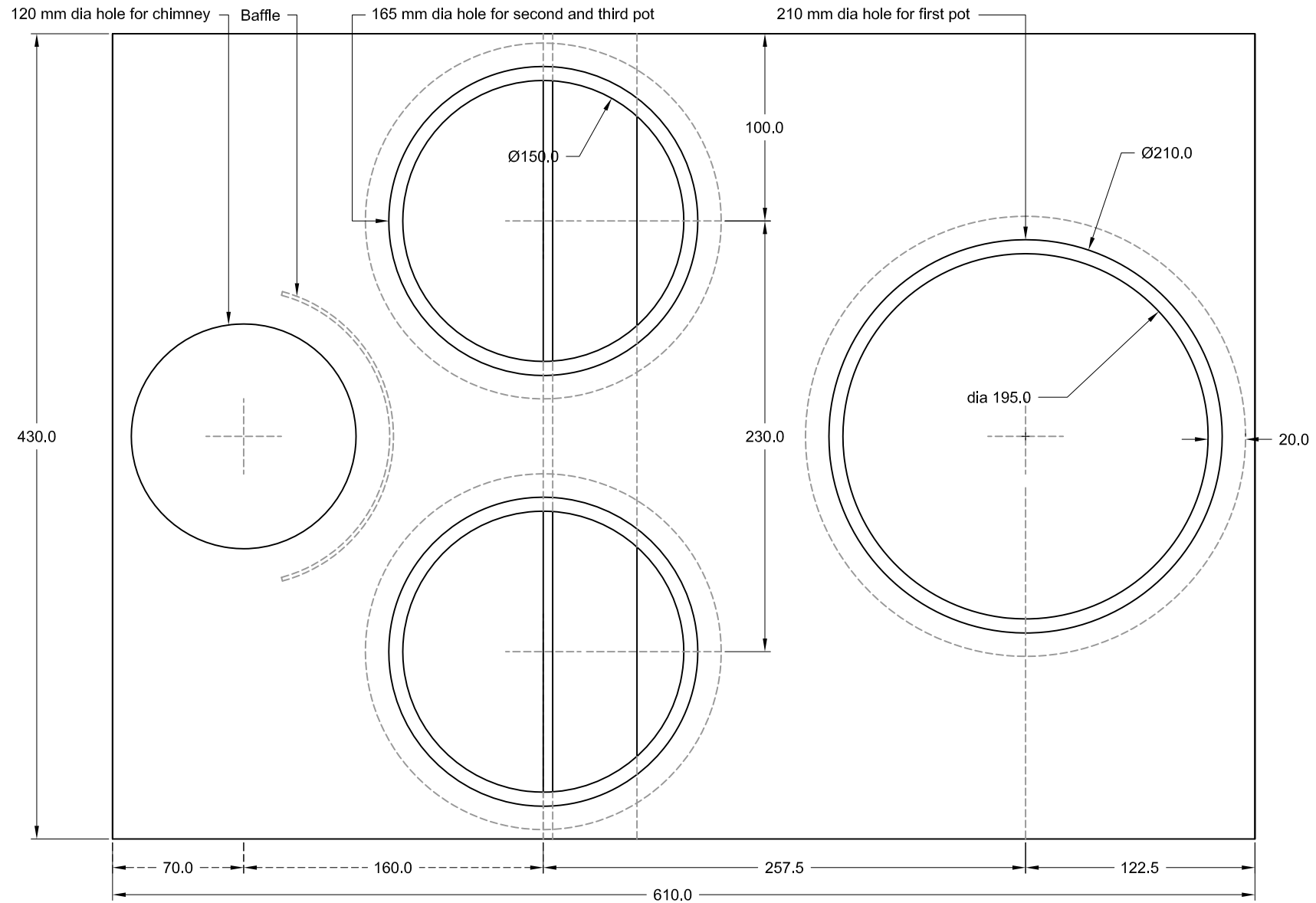
Top Plate	:	Mild Steel	t = 4 mm
Side Plate	:	Mild Steel	t = 2 mm
Bottom Plate:		Mild Steel	t = 2 mm
Door	:	Mild Steel	t = 2 mm
Chimney	:	Mild Steel	t = 2 mm



Improved Metallic Stove: 3 Pot Hole Model
 All Dimensions in mm
 Scale - 1 : 5

Drawing No.: 3
SECTIONAL VIEWS

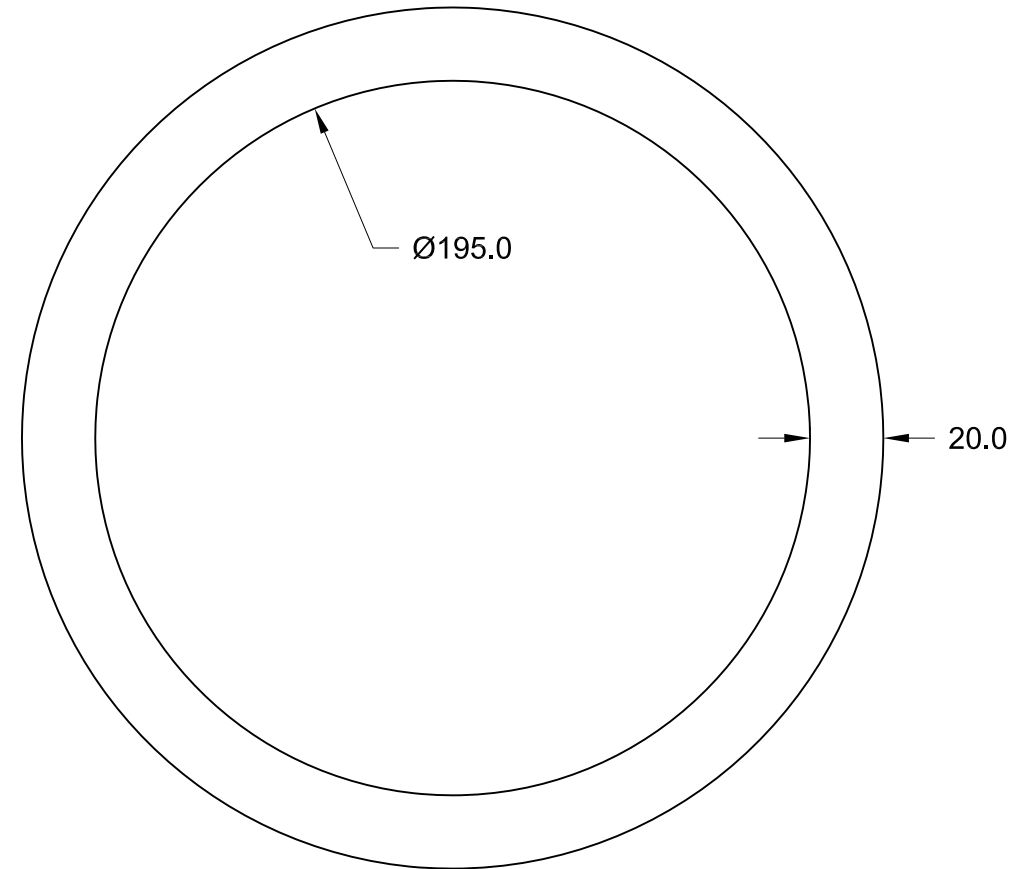
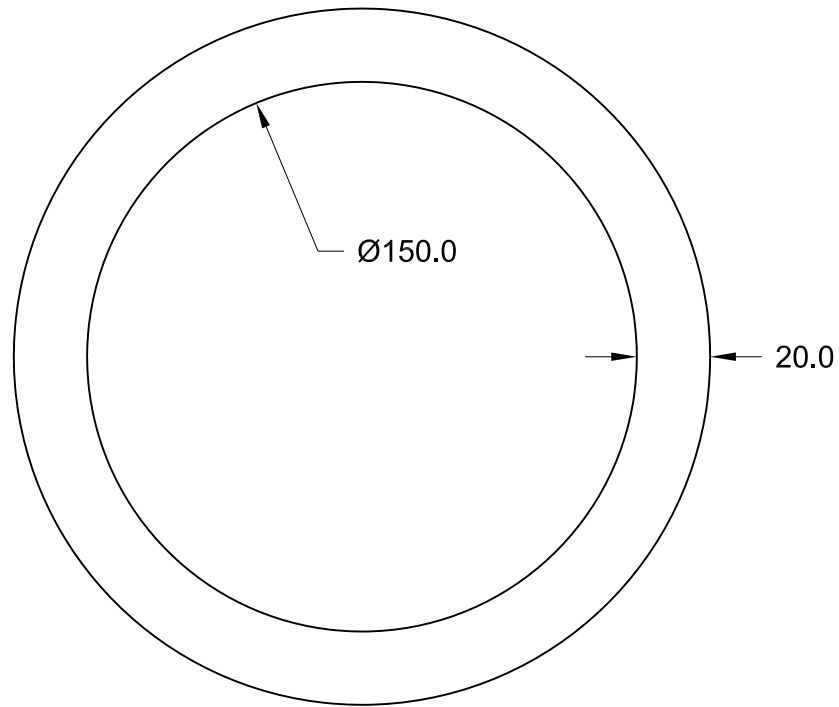
Biomass Energy Sub-Component / AEPC
Khumaltar Lalitpur
Ph +977 1 5539390



Improved Metallic Stove: 3 Pot Hole Model
 All Dimensions in mm
 Scale - 1 : 3

Drawing No. 4
TOP PLATE

Biomass Energy Sub-Component / AEPC
 Khumaltar Lalitpur
 Ph +977 1 5539390

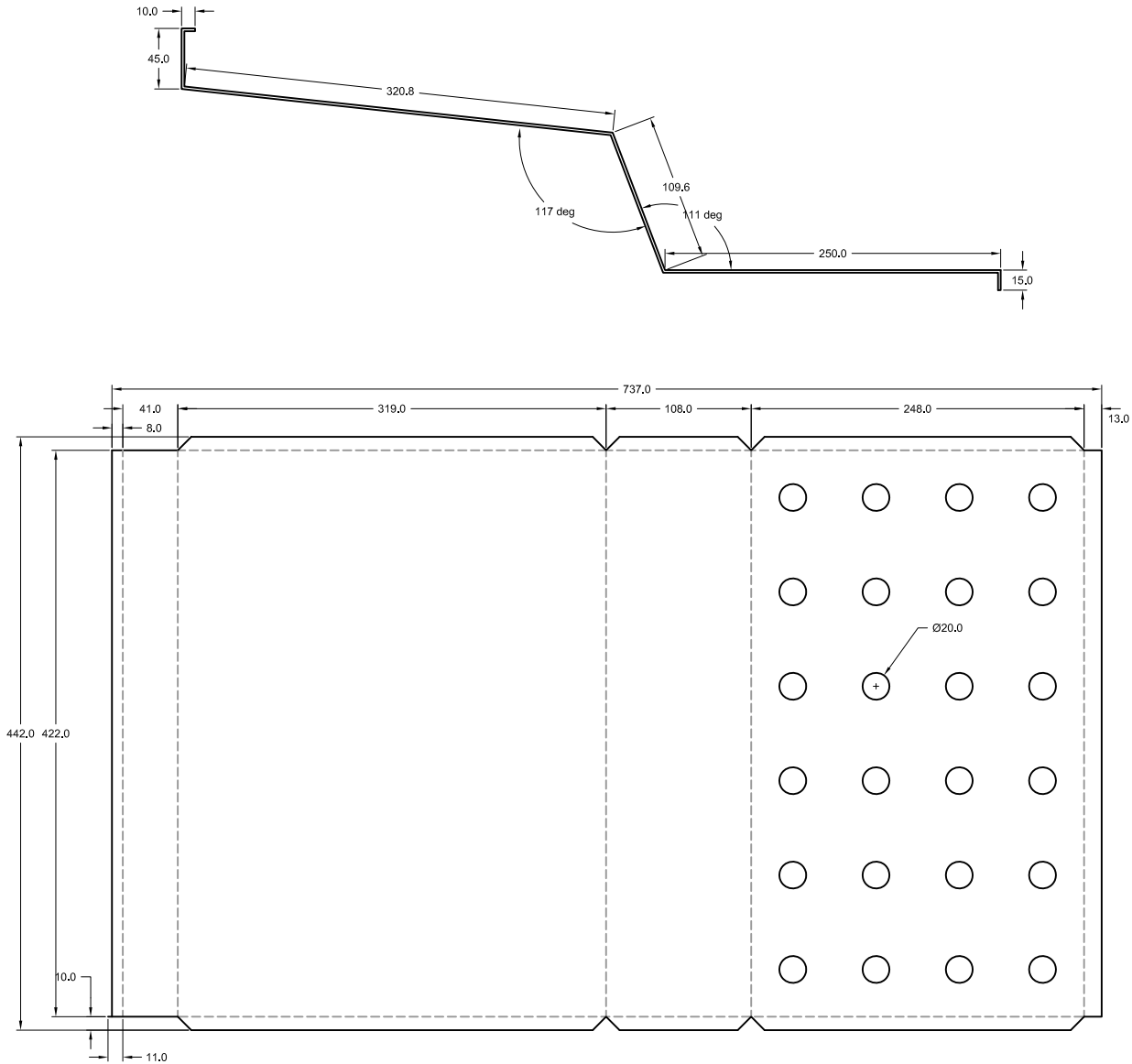


Reinforcement rings (5 mm thick)

Improved Metallic Stove: 3 Pot Hole Model
All Dimensions in mm
Scale - 1 : 2

Drawing No.: 5
POT HOLE RE-INFORCEMENT

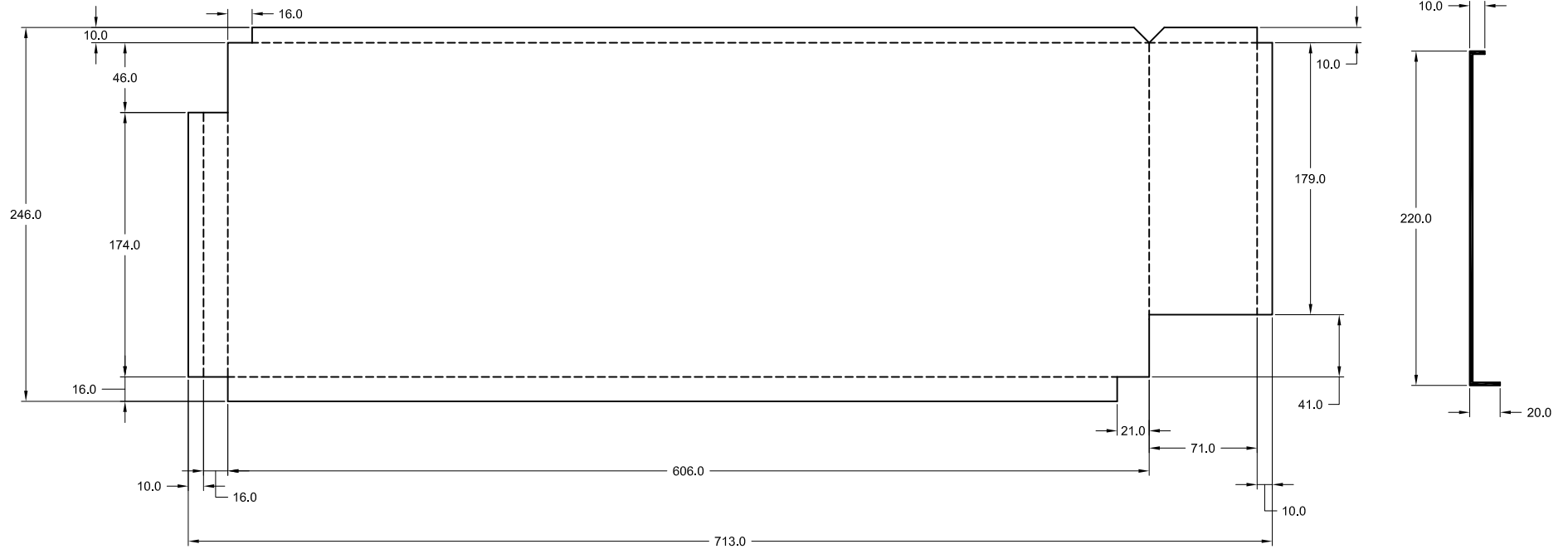
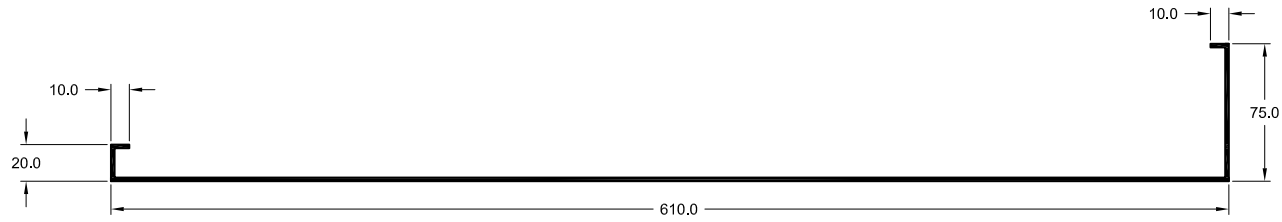
Biomass Energy Sub-Component / AEPC
Khumaltar Lalitpur
Ph +977 1 5539390



Improved Metallic Stove: 3 Pot Hole Model
 All Dimensions in mm
 Scale - 1 : 5

Drawing No.: 6
COMBUSTION CHAMBER PLATE

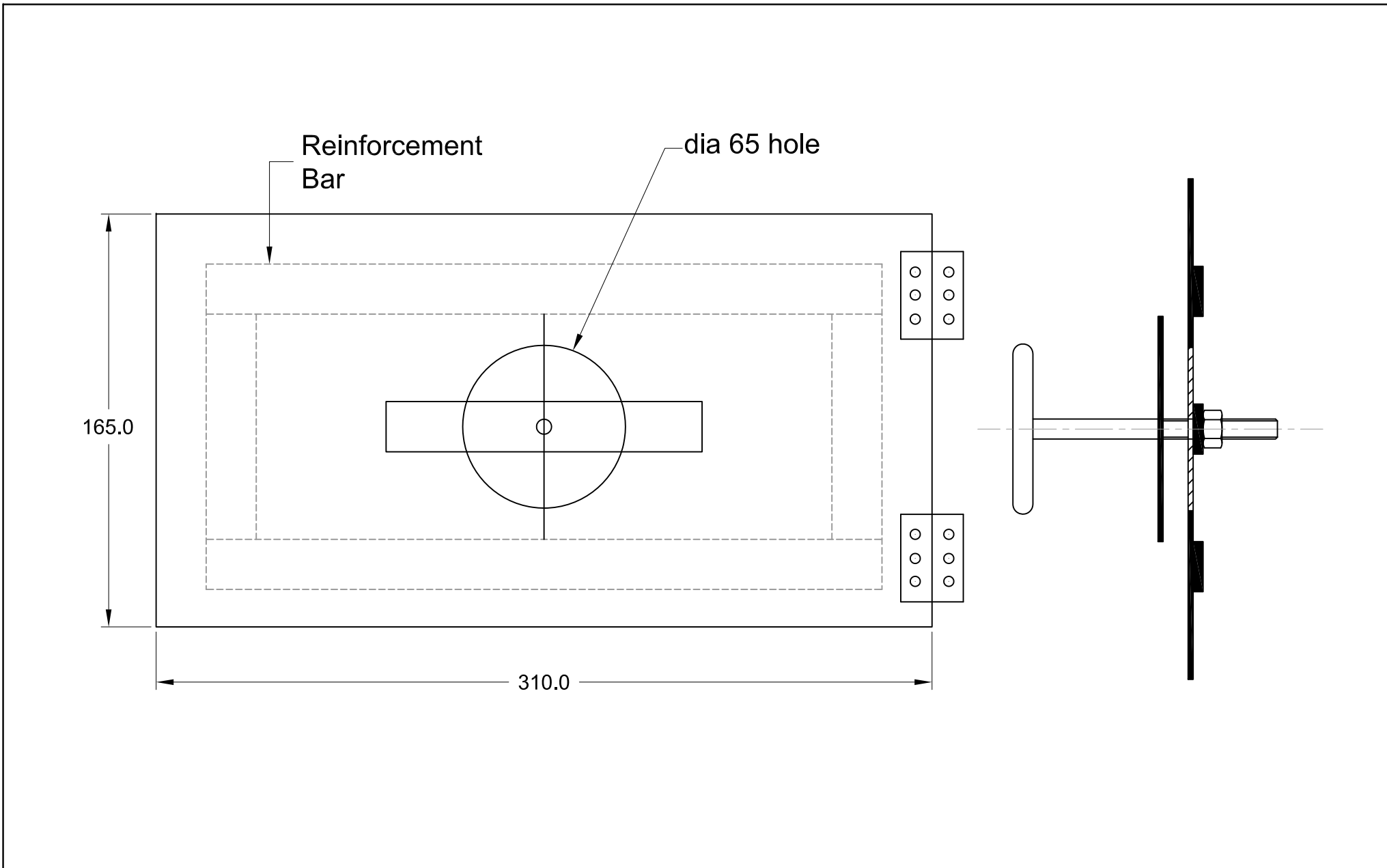
Biomass Energy Sub-Component / AEPC
Khumaltar Lalitpur
Ph +977 1 5539390



Improved Metallic Stove: 3 Pot Hole Model
 All Dimensions in mm
 Scale - 1 : 4

Drawing No.: 7
SIDE PLATES

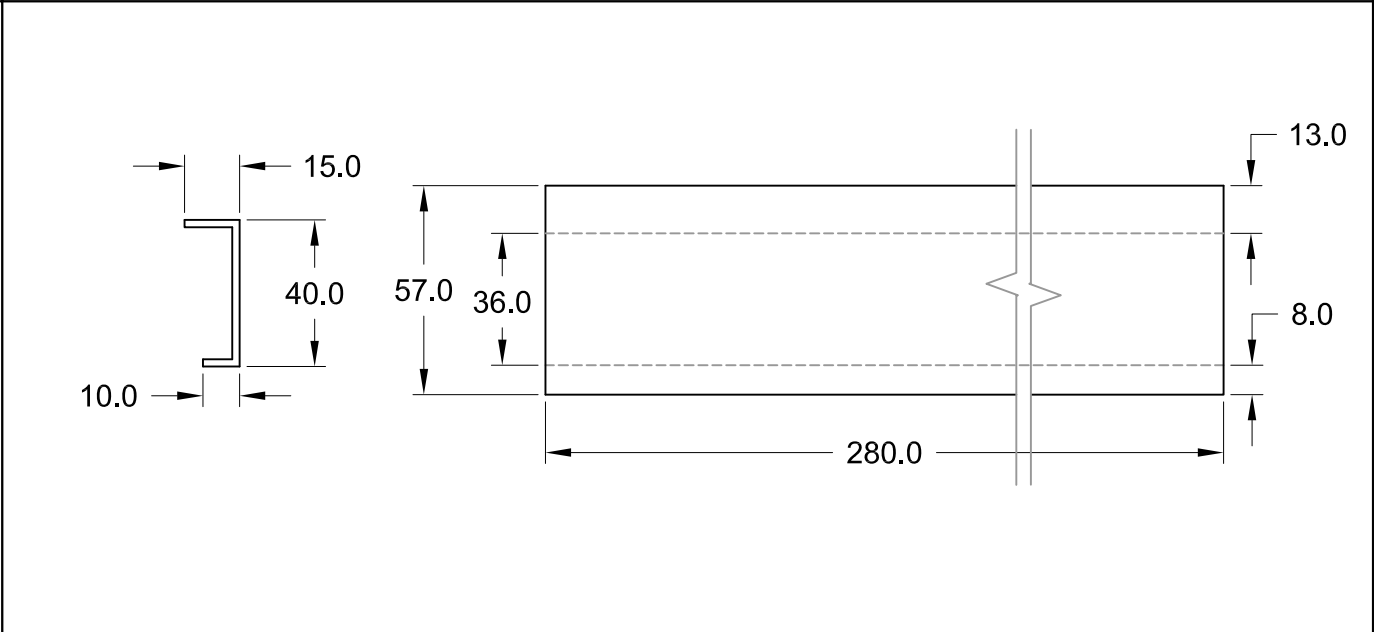
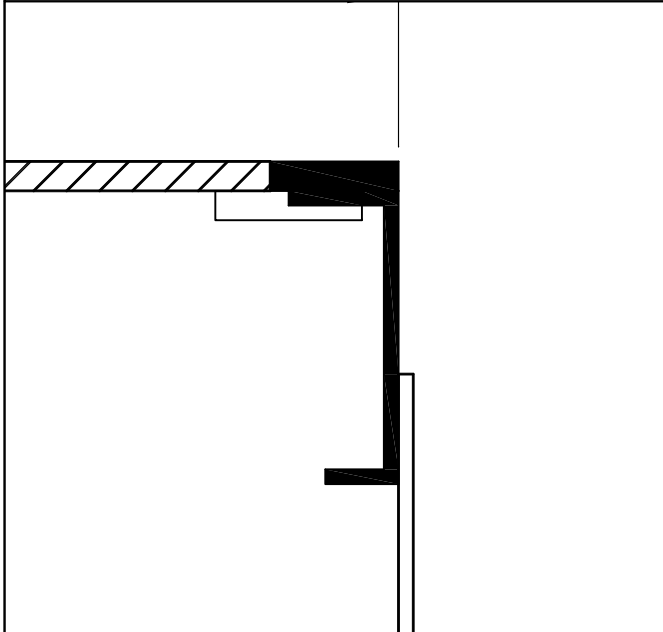
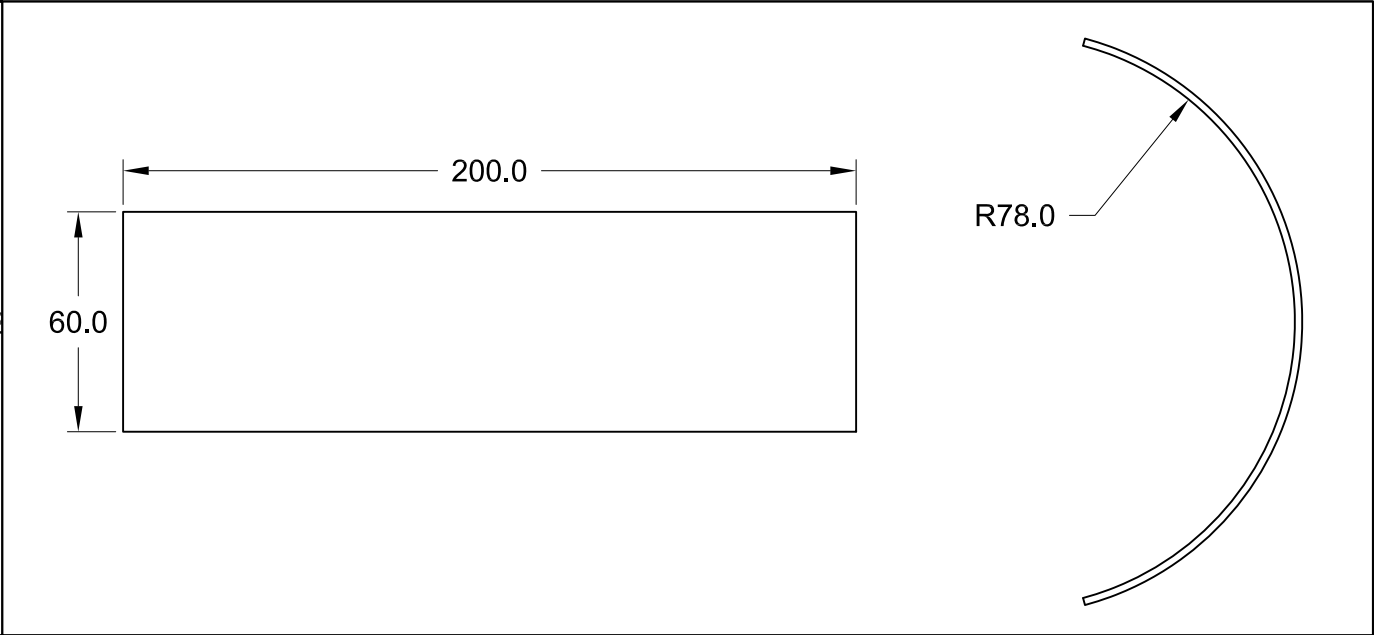
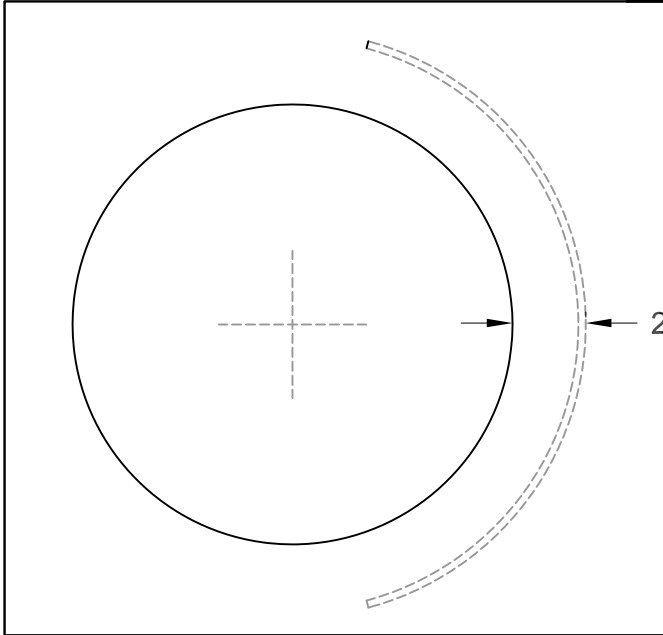
Biomass Energy Sub-Component / AEPC
Khumaltar Lalitpur
Ph +977 1 5539390



Improved Metallic Stove: 3 Pot Hole Model
 All Dimensions in mm
 Scale - 1 : 2

Drawing No.: 8
FIRE DOOR

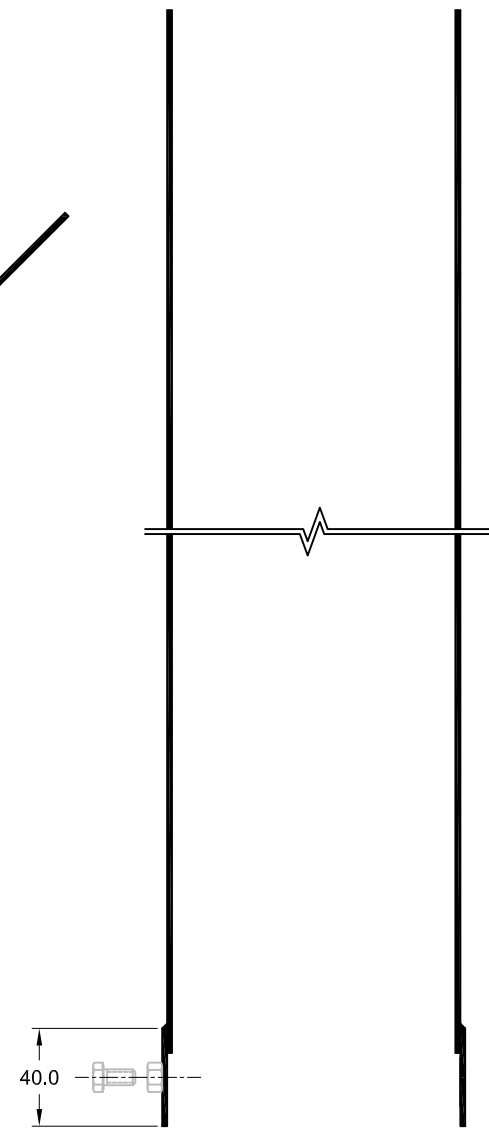
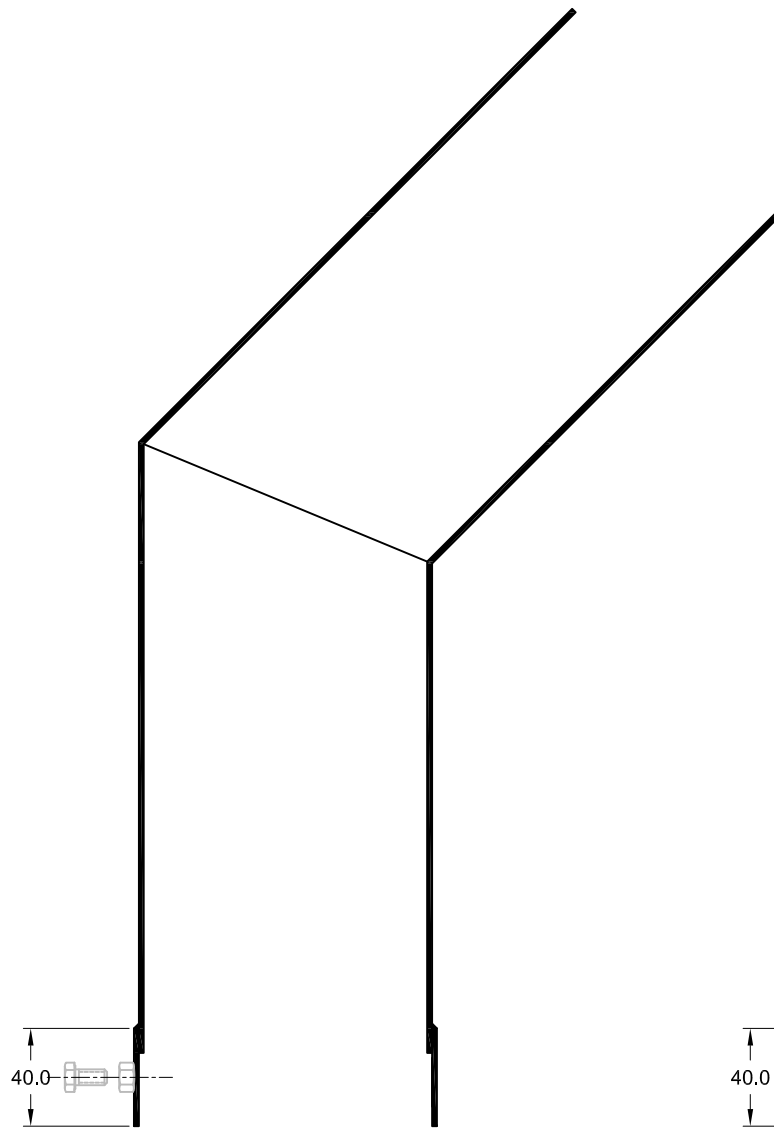
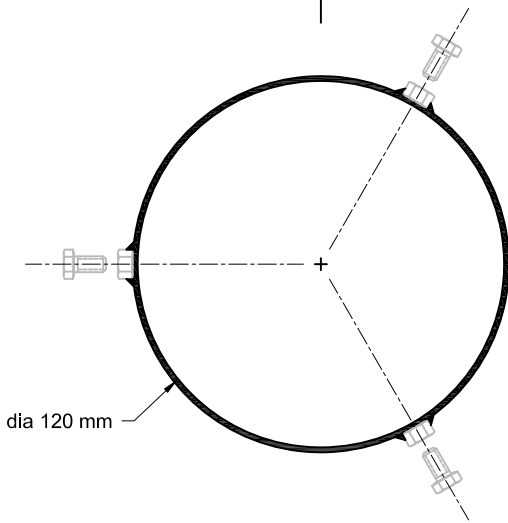
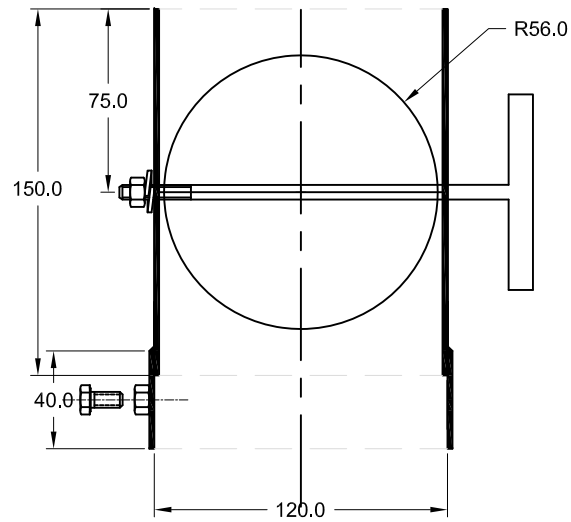
Biomass Energy Sub-Component / AEPC
 Khumaltar Lalitpur
 Ph +977 1 5539390



Improved Metallic Stove: 3 Pot Hole Model
 All Dimensions in mm
 Scale - 1 : 2

Drawing No.: 9
BAFFLE & FRONT TOP PART

Biomass Energy Sub-Component / AEPC
Khumaltar Lalitpur
Ph +977 1 5539390



Improved Metallic Stove: 3 Pot Hole Model
 All Dimensions in mm
 Scale - 1 : 3

Drawing No.: 10
BAFFLE, CHIMNEY & CHIMNEY BEND

Biomass Energy Sub-Component / AEPC
Khumaltar Lalitpur
Ph +977 1 5539390

